

EU Declaration of Conformity (Doc)

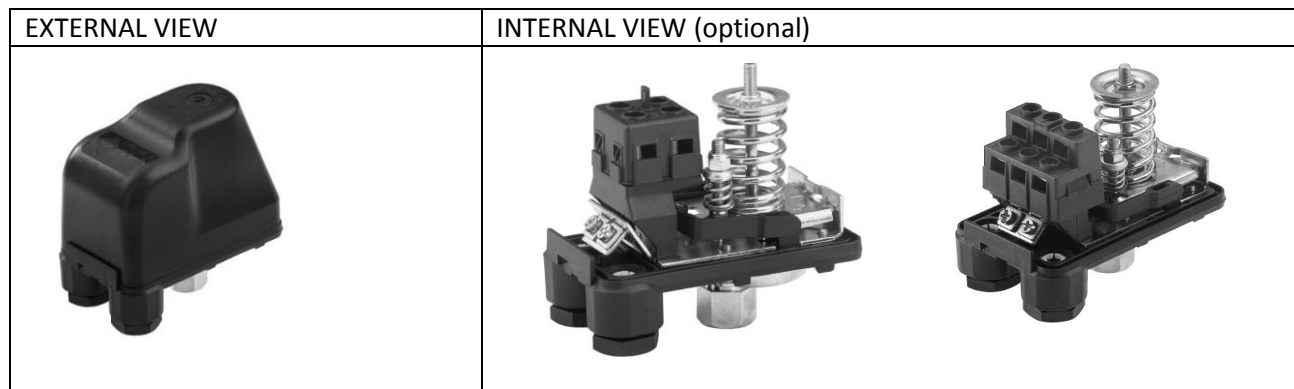
We

Company name: ITALTECNICA s.r.l.
Postal address: v.le Europa 31 – 35020 – Tribano (PD) Italy
Telephone number: +39 049 9585388
E-mail address: italtecnica@italtecnica.com

declare that the DoC is issued under our sole responsibility and belongs to the following products

Product(s): Pressure switches for water pumps
Type(s): PM 5 PT 5 PM 6 PT 6 PM 12 PT 12

Object of the declaration/identification:



The object of the declaration described above is in conformity with the relevant Union harmonization legislation:

Low Voltage Directive (LVD) 2014/35/EU

Reduction of Hazardous Substances (ROHS) 2011/65/EU

The following harmonized standards have been applied:

EN 60730-1:2000+A1:2004+A13:2004+A14:2005+A12:2003+A2:2008+AC:2007

EN 60730-2-6:2008

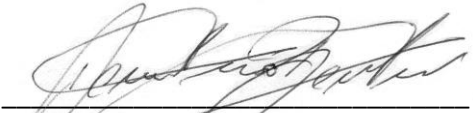
EN 50581:2012

TRIBANO (PD)

Place of issue

20/04/2016

Date of issue


Demetrio Bertazzo – General Manager