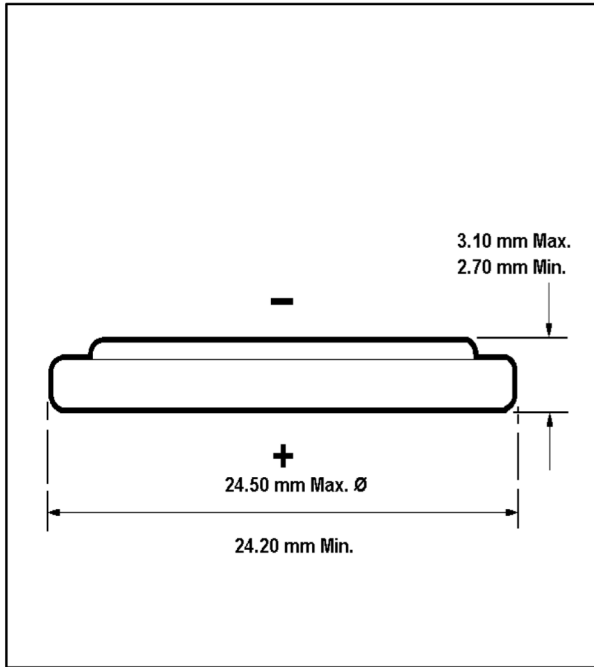


Lithium Manganese Dioxide Battery

CR2430



SPECIFICATIONS

Minimum No Load Voltage:	3.1 V
Minimum On Load Voltage:	2.1V on 150Ohms at 1000
Minimum Life	505 H 5.62 Ohms Hr/Day 2 V
Rated Capacity	256 mAh on 5.62Ohms to 2V
Volume	1.383 cm ³
Weight	4g

Physical Size in mm	Max	Min
Height/Length	3.10	2.70
Width/Diameter	24.5	24.2
Depth		

Typical Discharge Characteristics

