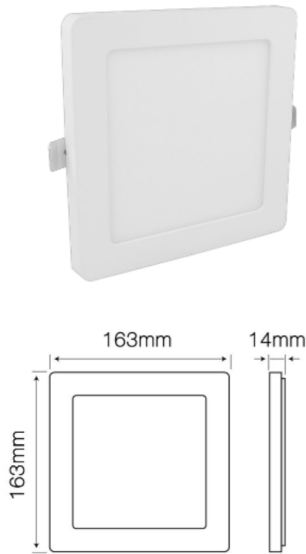


Product code: 246791 EAN: 5901583246791

LED line® Panel Easy Fix 12W 2700K 850lm square



Product description

Mounting clips can be moved along the mounting bracket allowing the product to fit into most existing mounting holes. Manufacturer issues a 3-year warranty for this product. Possible installation methods: recessed and surface. The installation method can be adjusted to the individual's needs. FLICKER FREE™ system guarantees no harmful flickering effect and ensures safety for users' eyesight. Yellow free technology means that the housing of this product is made of high quality material which is resistant to yellowing degeneration caused by UV radiation, thanks to which the product maintains its easthetic appearance for many years. Reliable photometric files are available based on photometric tests performed at the LED line® Light Research and Measurement Centre.



Mounting clips can be moved along the mounting bracket allowing the product to fit into most existing mounting holes.



Yellow free technology means that the housing of this product is made of high quality material which is resistant to yellowing degeneration caused by UV radiation, thanks to which the product maintains its easthetic appearance for many years.



FLICKER FREE™ system guarantees no harmful flickering effect and ensures safety for users' eyesight.



Reliable photometric files are available based on photometric tests performed at the LED line® Light Research and Measurement Centre.



Possible installation methods: recessed and surface. The installation method can be adjusted to the individual's needs.



Manufacturer issues a 3-year warranty for this product.



Voltage range and voltage type



Beam angle



IP protection rating



LGP



Material (cover)



Material (housing)



LED type



LED quantity



Lifespan



Power Factor



Number of on/off cycles



IEC protection class



Ambient temperature suitable for operation

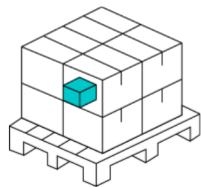


Mounting hole diameter

Name of the parameter	Value
Correlated colour temperature	2700 K
Colour of the light	White
Luminous efficacy	71 lm/W
Colour rendering index Ra	80
Energy class	A++
Colour	white
Lamp's warm-up time to 60%	1
The lumen maintenance factor	96
Product weight with packaging (g)	>0,7 g
Full box quantity	40 pc
Master carton weight (kg)	18,24
Supply voltage range and voltage type	220-260 AC
Beam angle	120 °
IP protection rating	20
LGP	GLASS
Material (cover)	polystyrene
Material (housing)	Polyamid
LED type	SMD2835
LED quantity	56
Lifespan	30000
Power Factor	0.5
Number of on/off cycles	50000
Height	14 mm
Length	163 mm
IEC protection class	II
Ambient temperature suitable for operation	-5/+40 °C
Frequency of the supply voltage	50/60Hz
For indoor use	YES
Warranty (years)	3
Flicker Free	YES
Width	163 mm
Luminous flux	850 lm
Wattage	12 W
EPREL ID	632210
Date of first placement on the market	2019-01-01
Angle for useful luminous flux (EPREL)	Sphere 360 degrees
Is the product equipped with an integrated light source? (EPREL)	Yes
Total luminous flux (EPREL)	1380
Is this product a light source? (EPREL)	No
Beam angle in degrees (EPREL)	120
On-mode power P _{on} (EPREL)	12
Lifetime L70B50	30000
Connected light source (EPREL)	No

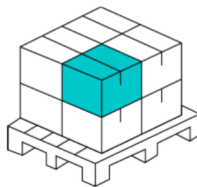
Name of the parameter	Value
Useful luminous flux Φ _{use} (EPREL)	1380
Non-directional or directional light source (EPREL)	NDLS
Mains or non- mains light source (EPREL)	MLS
Colour-tuneable light source (EPREL)	No
Chromaticity coordinates x i y (EPREL)	0.46 0.411
Dimmable function	No
R9 colour rendering index value (EPREL)	8
Survival factor	0.9
Colour consistency in McAdam ellipses	±6
Flicker metric PstLM	1
Stroboscopic effect metric SVM	0.4
Form of the product (EPREL)	Source Out
Energy efficiency class 2019/2015	E
Colour consistency in McAdam ellipses	±6
Displacement factor Df	0.7
Mounting hole diameter	60-135 mm

Pre-packaging



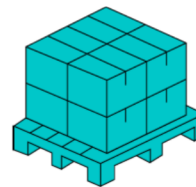
Width [mm]	170
Height [mm]	180
Length [mm]	40
Weight [kg]	0,36

Cumulative packaging



Number of pieces	40
Width [mm]	380
Height [mm]	430
Length [mm]	360
Weight [kg]	19
Volume [m3]	0,058824

Europallet



Number of pieces	720
Bulk quantity	18
Weight [kg]	342
Weight [kg]	342
Pallet height [mm]	1434
Quantity in 1 layer	6
Number of layers	3